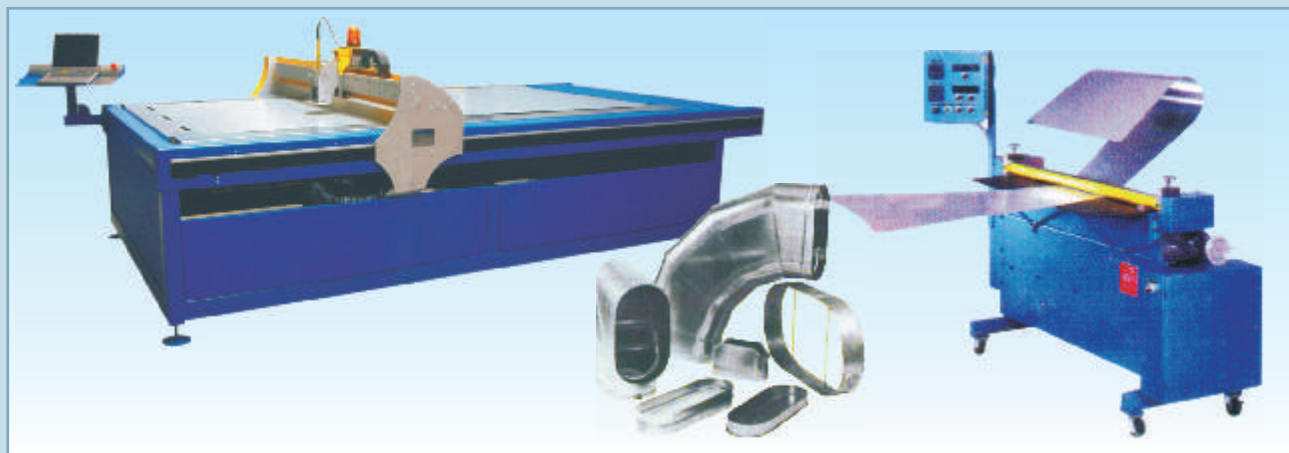


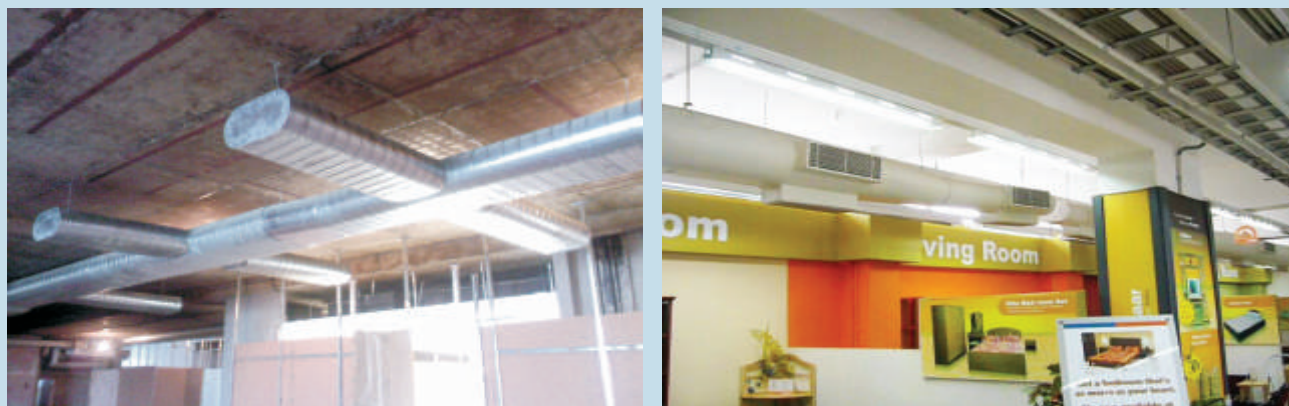
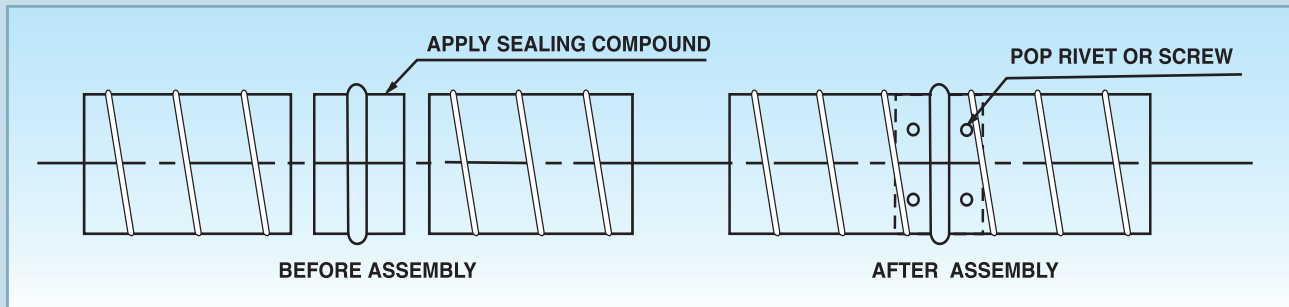
Duct Fittings:

A complete line of duct fittings designed for low leakage and efficient performance is available for use with single-wall and double-wall Flat-Oval Ducts.



Jointing System :

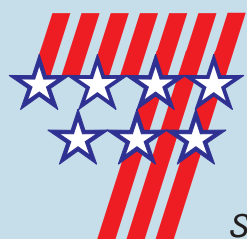
Flat-Oval Spiral Ducts and duct fittings joined together by slip joint coupling.



Seven Star Aircon Ancillaries Pvt. Ltd.



Seven Star Flat Oval Duct



Seven Star Aircon Ancillaries Pvt. Ltd.

(Regd. Office : 9, Chari Street, T.Nagar, Chennai-600 017,

Ph : 044 - 42124014 Fax : 044 - 42124016

Factory 12A, Thirukkachuyur & Sengundram Layout,

Singaperumal Kovil P.O., Chengalpattu 603204.

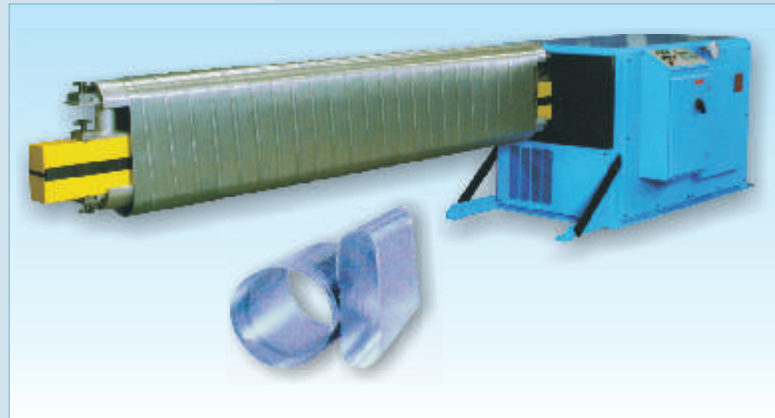
Email: sriram62@gmail.com ; ssankaran46@gmail.com www.sevenstaraircon.com

Flat-oval Spiral Duct

Flat-oval spiral duct is machine formed round spiral duct. The straight sections of the long sides are stretched taut and perfectly flat. The flat oval shape is specifically designed for low head room and restricted space locations which can't accept round duct.

Spiral Duct work systems in both round and flat-oval shape have many advantages. some of the major advantages include

- Light weight spiral reinforced walls.
- Smooth streamline internal surfaces giving low friction loss and no turbulence.
- Long runs in continuous lengths.
- Simple joining technique.
- Matted fittings of consistent size.
- Reduced space requirement in height or depth.



Specifications

Thickness :24 G to 20 G

Thickness of flat-oval spiral ducts as per **SMACNA "HVAC Duct Construction Standards" - 1985.**

Major axis Duct width "B"	Spiral Duct Thickness Gauge	Duct Fittings Thickness Gauge
to 24"	24	20
25" to 36"	22	20
37" to 48"	22	18
49" to 60"	20	18
61" to 70"	20	16

Length:

4, 8, 10 and 12 ft. length

Material :

Galvanised steel, mild steel (CRCA), Aluminium, Stainless Steel etc.

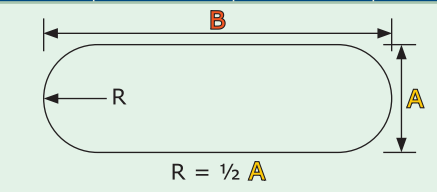
Surface Constructions:

Plain or Corrugated (to increase the radial rigidity of the duct by 300%



Standard Sizes:

Basic Circular diameter	Nominal Duct Height (A)							
	6"	8"	10"	12"	14"	16"	18"	20"
16"	22" ø12"	21" ø13½"						
17"	23¼" ø12¼"	22" ø14"						
18"	25" ø12½"	24" ø14½"	23" ø15½"					
19"	26½" ø12¾"	25¼" ø14¾"	24" ø16"					
20"	28" ø13"	27" ø15"	26" ø17"	25" ø18"				
21"	29½" ø13¼"	28½" ø15½"	27¼" ø17¼"	26" ø18½"				
22"	31½" ø13½"	30½" ø16"	29" ø17½"	28" ø19"	27" ø20"			
23"		31½" ø16¼"	30½" ø17"	29¼" ø19½"	28" ø20½"			
24"		33" ø16½"	32½" ø18½"	31" ø20"	30" ø21½"	29" ø22½"		
25"		34¾" ø17"	33½" ø18¾"	32½" ø20½"	31¾" ø22"	30" ø23"		
26"		36½" ø17½"	35½" ø19½"	34½" ø21"	33" ø22½"	32" ø23½"	31" ø24½"	29½" ø25"
28"		39½" ø18"	38½" ø20"	37½" ø22"	36½" ø23½"	35" ø24½"	34" ø26"	33" ø26½"
30"			42" ø21"	40½" ø22½"	39½" ø24½"	38½" ø26"	37" ø27"	36" ø28"
32"			45" ø21½"	44" ø23½"	42½" ø25½"	41½" ø27"	40½" ø28"	39½" ø29"
34"			48" ø22½"	47" ø24½"	46" ø26"	45" ø28"	44" ø29"	42" ø30½"
36"			51½" ø22½"	50" ø25"	49" ø27"	48" ø28½"	46½" ø30"	45½" ø31½"
38"				53" ø25½"	52" ø29½"	51" ø31"	50" ø32½"	49" ø34"
40"				56½" ø26½"	55½" ø28½"	54" ø30½"	53" ø32"	52" ø33½"
42"				60" ø27½"	58" ø29"	57" ø31"	56" ø33"	55" ø34½"
44"				63" ø27½"	61½" ø30"	60" ø32"	59½" ø33½"	58" ø35½"
46"					65" ø30½"	64" ø32½"	62" ø34½"	61" ø36½"
48"					68" ø31"	67" ø33½"	65½" ø35½"	64½" ø37"



51½"
Nominal Duct Width (B)
ø22½"
Equivalent Round Ø For Equal Capacity and Friction Loss

Pre-insulated Double-walled Flat-oval Spiral Duct Systems

Thermal / Acoustic Insulation:

A double-walled insulated Flat-oval Spiral Duct consists of an external pressure tight metal shell, a 12.5 / 25 / 50mm thick of fiberglass / mineral wool / puf insulation and internal plain protective metal liner for thermal insulation or perforated metal inner liner for acoustic insulation.

